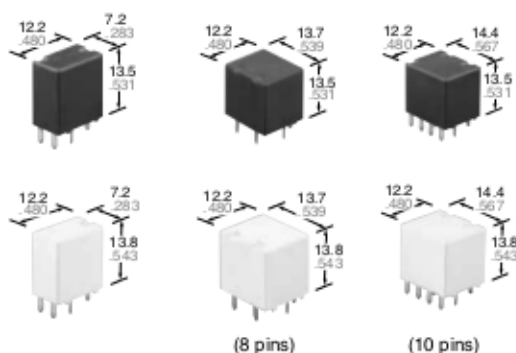


Compact Slim Twin and Single Type Automotive Relay

CJ RELAYS

<Protective construction>
Standard type: Sealed
Pin in Paste compliant type: Flux tight



(Unit: mm inch)

RoHS compliant

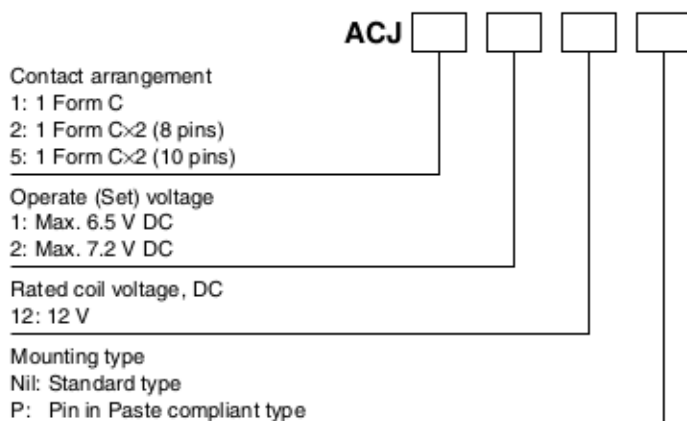
FEATURES

- It is extremely compact at approx. 2/3 the size of previous CT relay.
- Compact and high-capacity 25 A load switching
- Pin in Paste compliant model added

TYPICAL APPLICATIONS

- Powered windows, Automatic door locks, Powered mirrors, Powered sunroofs, Powered seats, Lift gates, Smart J/B related products, etc.

ORDERING INFORMATION



TYPES

| Contact arrangement | Rated coil voltage | Operate (Set) voltage (at 20°C 68°F) (Initial) | Part No. | | Packing | |
|------------------------|--------------------|--|---------------|-----------------------------|---------------|------------|
| | | | Standard type | Pin in Paste compliant type | Carton (tube) | Case |
| 1 Form C | 12 V DC | Max.6.5 V DC | ACJ11 12 | ACJ11 12P | 70 pcs. | 2,800 pcs. |
| | | Max.7.2 V DC | ACJ12 12 | ACJ12 12P | | |
| 1 Form C × 2 (8 pins) | | Max.6.5 V DC | ACJ21 12 | ACJ21 12P | 40 pcs. | 1,000 pcs. |
| | | Max.7.2 V DC | ACJ22 12 | ACJ22 12P | | |
| 1 Form C × 2 (10 pins) | | Max.6.5 V DC | ACJ51 12 | ACJ51 12P | 35 pcs. | 1,400 pcs. |
| | | Max.7.2 V DC | ACJ52 12 | ACJ52 12P | | |